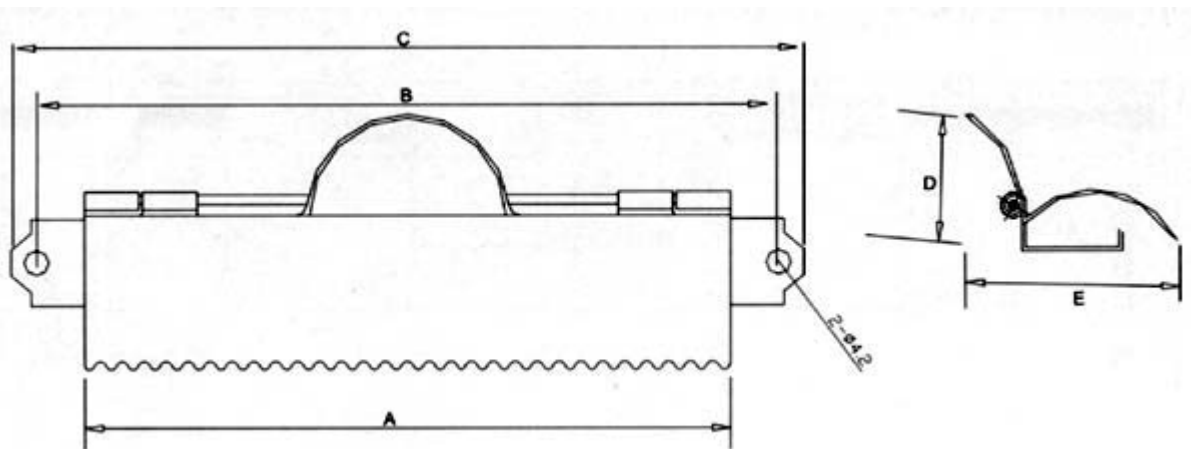
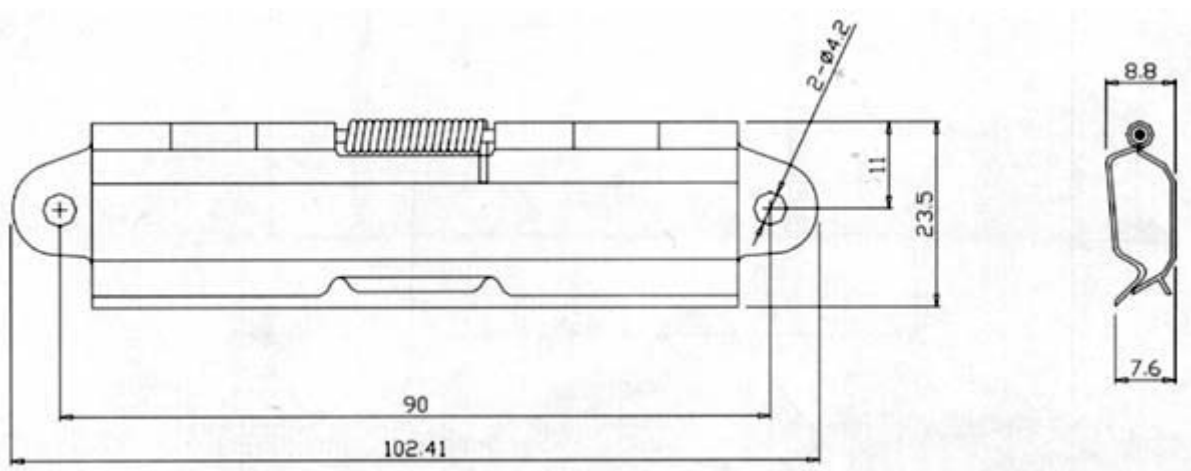


TEETH CLIP



ITEM NO	A	B	C	D	E	PCS	KG
TC-70	50	61.5	71	14	23.5	2500	24.1
TC-110	89	101	110	14	33.5	1600	29.3

PLAIN CLIP



ITEM NO	PCS	KG
PC-140	1600	27.3