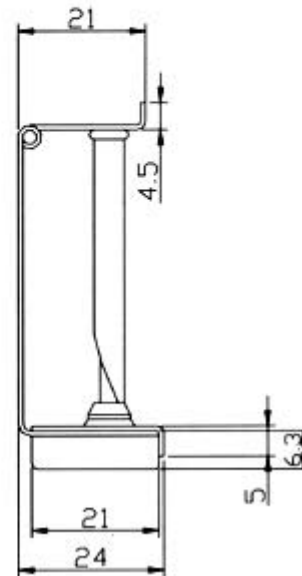
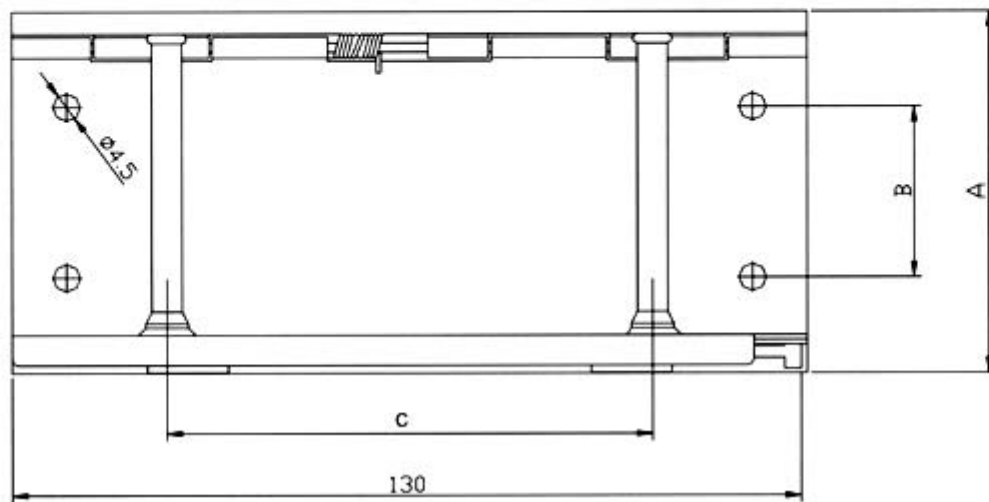
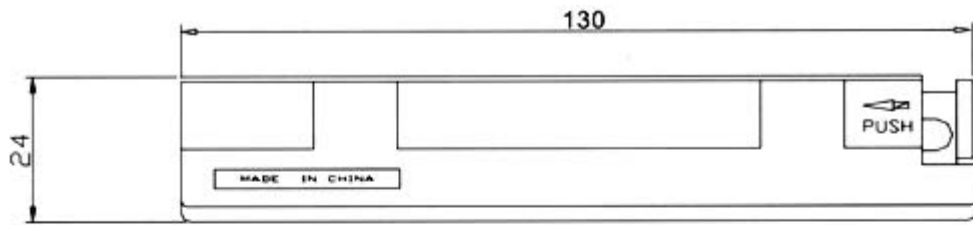
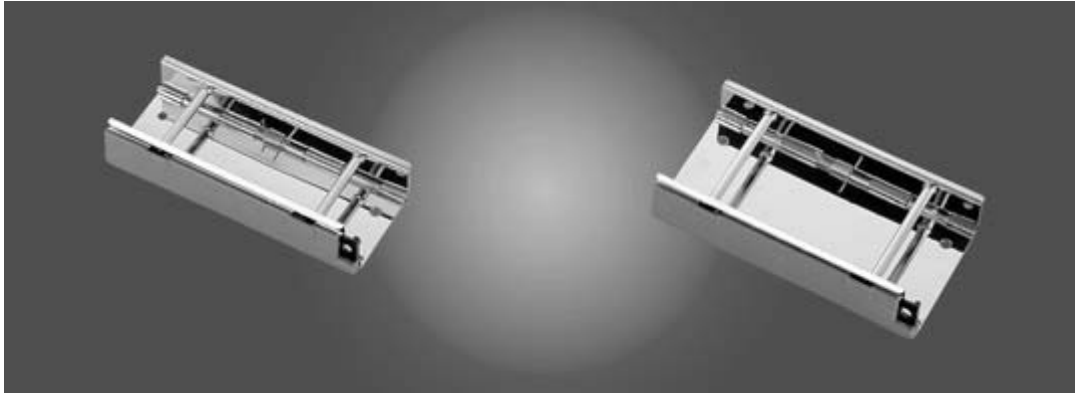


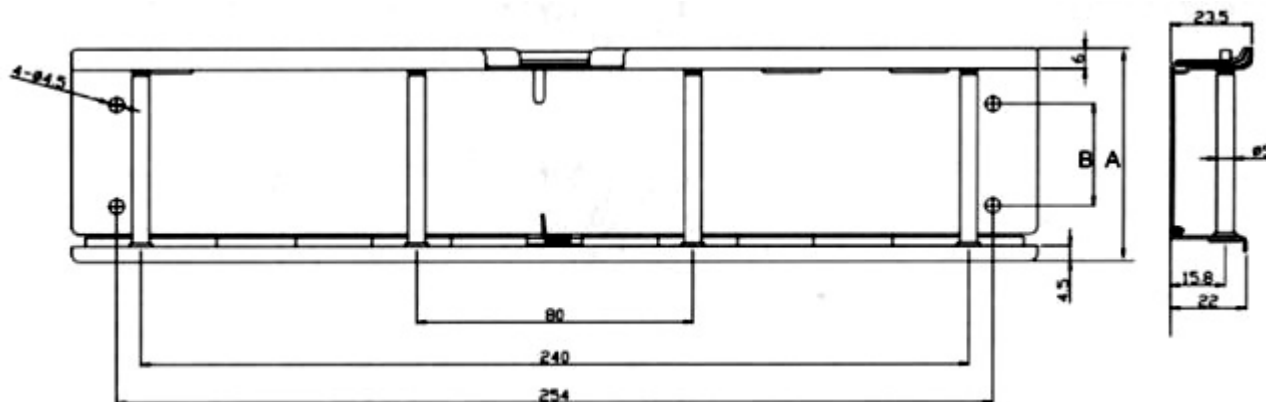
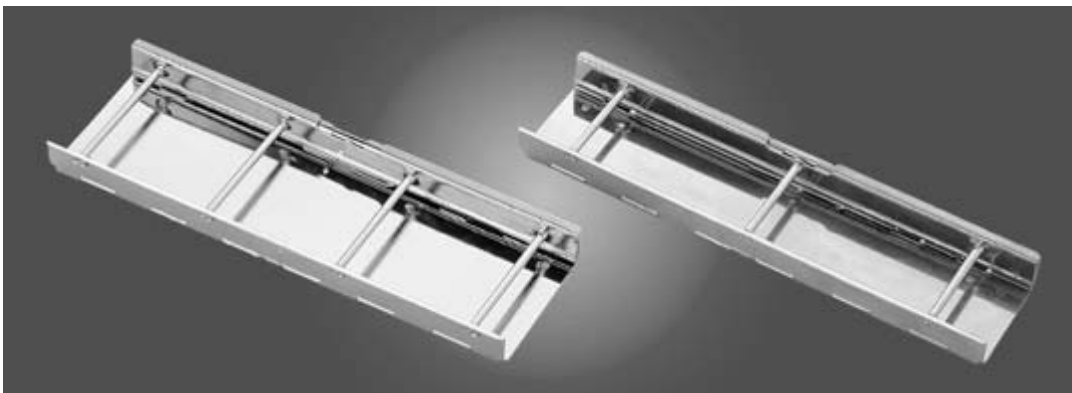
[Next >](#)



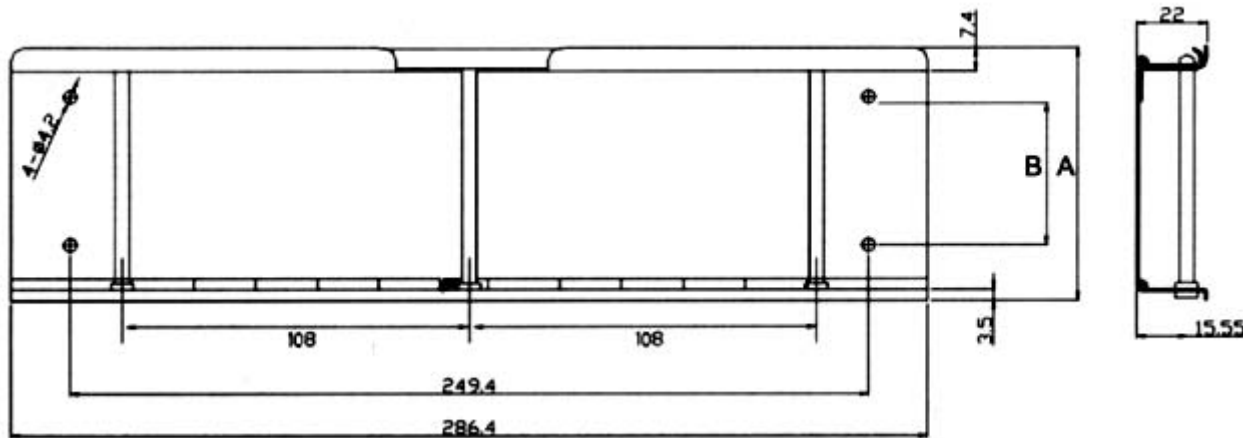
ITEM NO	A	B	C	PCS	KG
M2PB40W 80	40	9.5	80	200	17.8
M2PB50W 80	50	18.5	80	200	21.0
M2PB60W 80	60	28.3	80	180	20.0
M2PB70W 80	70	39.0	80	100	12.0
M2PB90W 80	90	58.0	80	100	13.4
M2PB115W 80	115	78.5	80	100	15.6
M2PB40W 70	40	9.5	70	200	17.8
M2PB50W 70	50	18.5	70	200	21.0
M2PB60W 70	60	28.3	70	180	20.0
M2PB70W 70	70	39.0	70	100	12.0
M2PB90W 70	90	58.0	70	100	13.4
M2PB115W 70	115	78.5	70	100	15.6

[Next >](#)

< Previous



ITEM NO	A	B	PCS	KG
S4PB40W	40	9.5	100	24.5
S4PB50W	50	18.5	100	26
S4PB60W	60	28.3	80	23
S4PB70W	70	39	80	24.5
S4PB90W	90	58	60	19
S4PB115W	115	78.5	60	21



ITEM NO	A	B	PCS	KG
S3PB40W	40	9.5	100	24
S3PB50W	50	18.5	100	25.5
S3PB60W	60	28.3	80	22.5
S3PB70W	70	39	80	24
S3PB90W	90	58	60	18.5
S3PB115W	115	78.5	60	20.5

< Previous