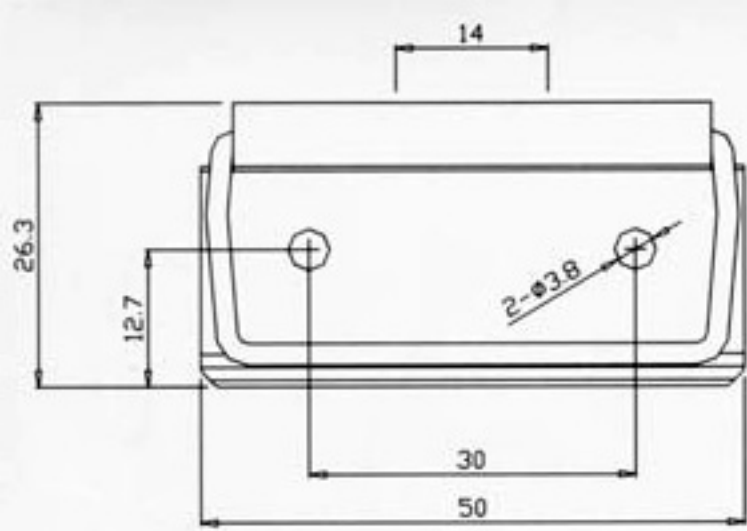
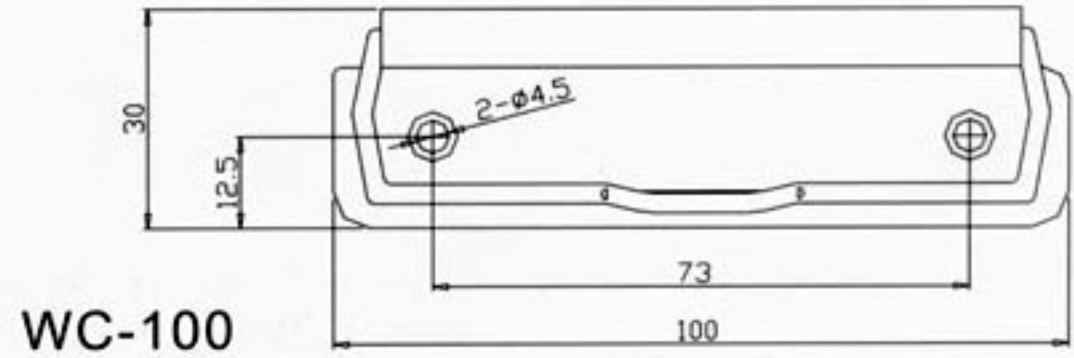


[Next >](#)

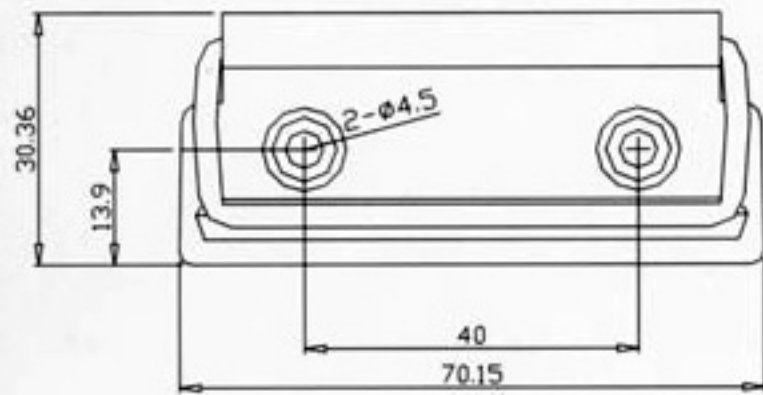




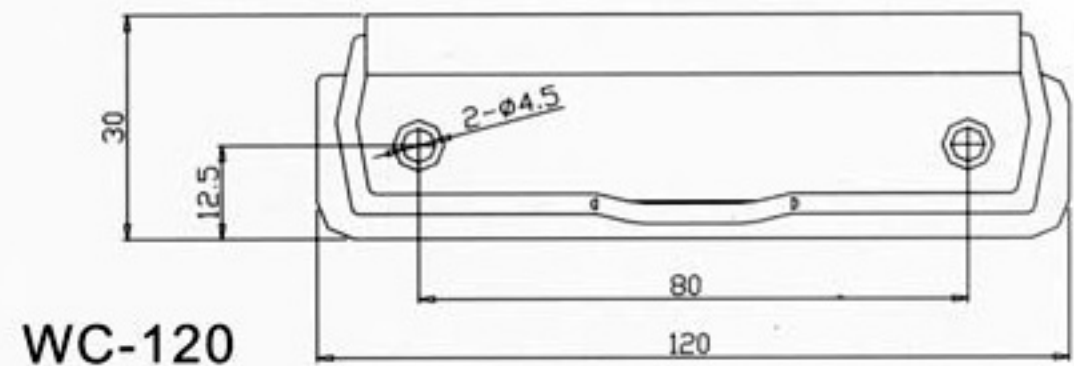
WC-50



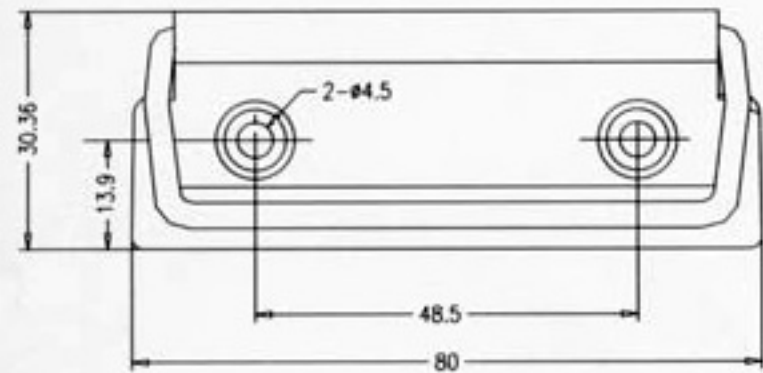
WC-100



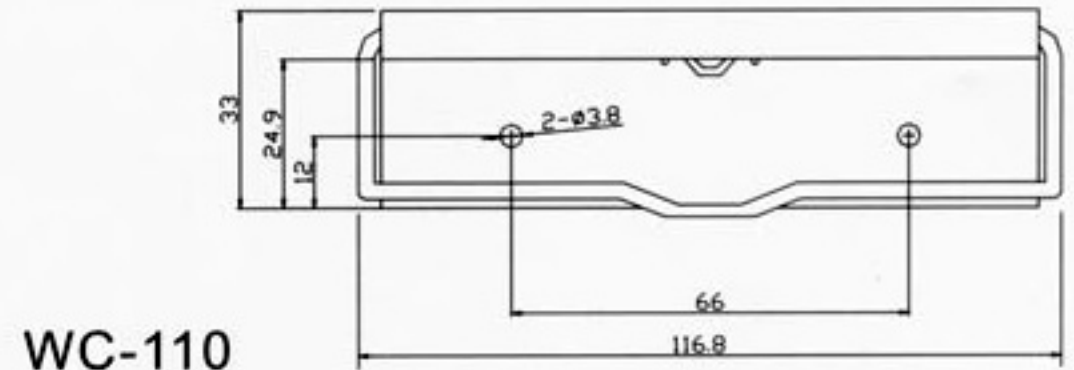
WC-70



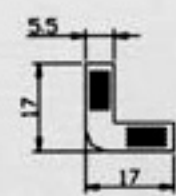
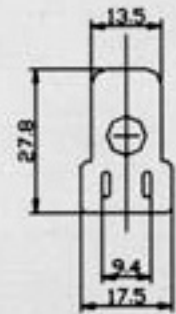
WC-120




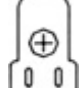




WC-80



WC-110



ITEM NO						PATTERN		
WC-50B	50	26.3	30			BRIGHT		
WC-70B	70.15	26.3	40			BRIGHT	1500	28
WC-80B	80	30.36	48.5			BRIGHT	1200	25.6
WC-100B	100	30.36	73			BRIGHT	1000	22.6
WC-100B-H	100	30	73		✓	BRIGHT	1000	23.2
WC-100B-RC	100	30	73	✓		BRIGHT	1000	24
WC-100B-HRC	100	30	73	✓	✓	BRIGHT	1000	24.7
WC-120B	120	33	87			BRIGHT	1000	26.4
WC-120B-H	120	30	87		✓	BRIGHT	1000	27.4
WC-120B-RC	120	30	87	✓		BRIGHT	1000	29.7
WC-120B-HRC	120	30	87	✓	✓	BRIGHT	1000	29.4
WC-50SC	50	30	30			SMALL-CHECKER		
WC-70SC	70.15	26.3	40			SMALL-CHECKER	1500	28
WC-80SC	80	30.36	48.5			SMALL-CHECKER	1200	25.6
WC-100SC	100	30.36	73			SMALL-CHECKER	1000	22.6
WC-100SC-H	100	30	73		✓	SMALL-CHECKER	1000	23.2
WC-100SC-RC	100	30	73	✓		SMALL-CHECKER	1000	24
WC-100SC-HRC	100	30	73	✓	✓	SMALL-CHECKER	1000	24.7
WC-120SC	120	33	87			SMALL-CHECKER	1000	26.4
WC-120SC-H	120	30	87		✓	SMALL-CHECKER	1000	27.4
WC-120SC-RC	120	30	87	✓		SMALL-CHECKER	1000	29.7
WC-120SC-HRC	120	30	87	✓	✓	SMALL-CHECKER	1000	29.4
* WC-110B	109.2	30	66			BRIGHT	1000	32.2
* WC-110B-RC	109.2	33	66	✓		BRIGHT	1000	33.6
* WC-110SC	109.2	30	66			SMALL-CHECKER	1000	32.2
* WC-110SC-RC	109.2	33	66	✓		SMALL-CHECKER	1000	33.6

* HANGING HOLE ON THE BASE PLATE